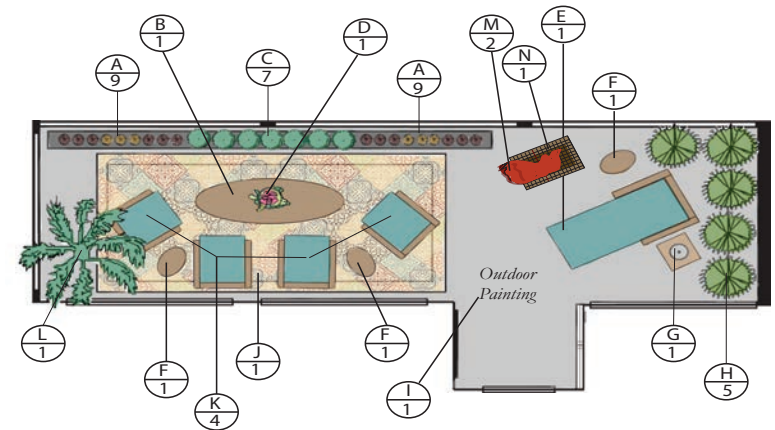
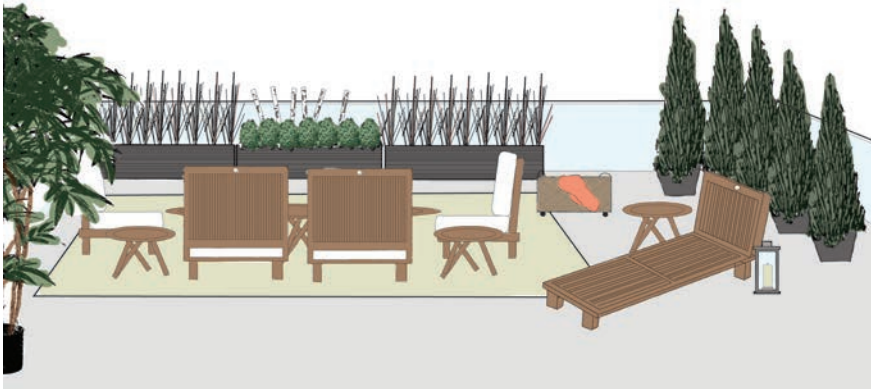


Shady - No Fuss (no plants) Balcony (See store for pricing and selection)



Plants, Materials & Supplies

- A. Mixed Dry Twigs and Branches (18 groups)
- B. Topaz Coffee Table (1)
- C. Artificial Boxwood (7)
- D. Custom Silk Potted Arrangement (1)
- E. Opal Chaise Lounge (1)
- F. Topaz Side Table (3)
- G. Large Floor Lantern (1)
- H. Artificial Emerald Cedars (5)
- I. Outdoor Painting/ Wall Art (1)
- J. Outdoor Area Rug (1)

- K. Opal Lounge Chair (4)
- L. Artificial Palm Tree (1)
- M. Cozy Throw/ Blankets (2)
- N. Large Wicker Basket storage (1)
Bird Feeder and Seed

10 Essential Tools

Garden Spade, Hoe, Hard Rake, Pruners, Garden Hose w/Nozzle, Good Broom, Hand Trowel, Fan Rake, Wheelbarrow.



Sheridan
Nurseries
100+ YEARS

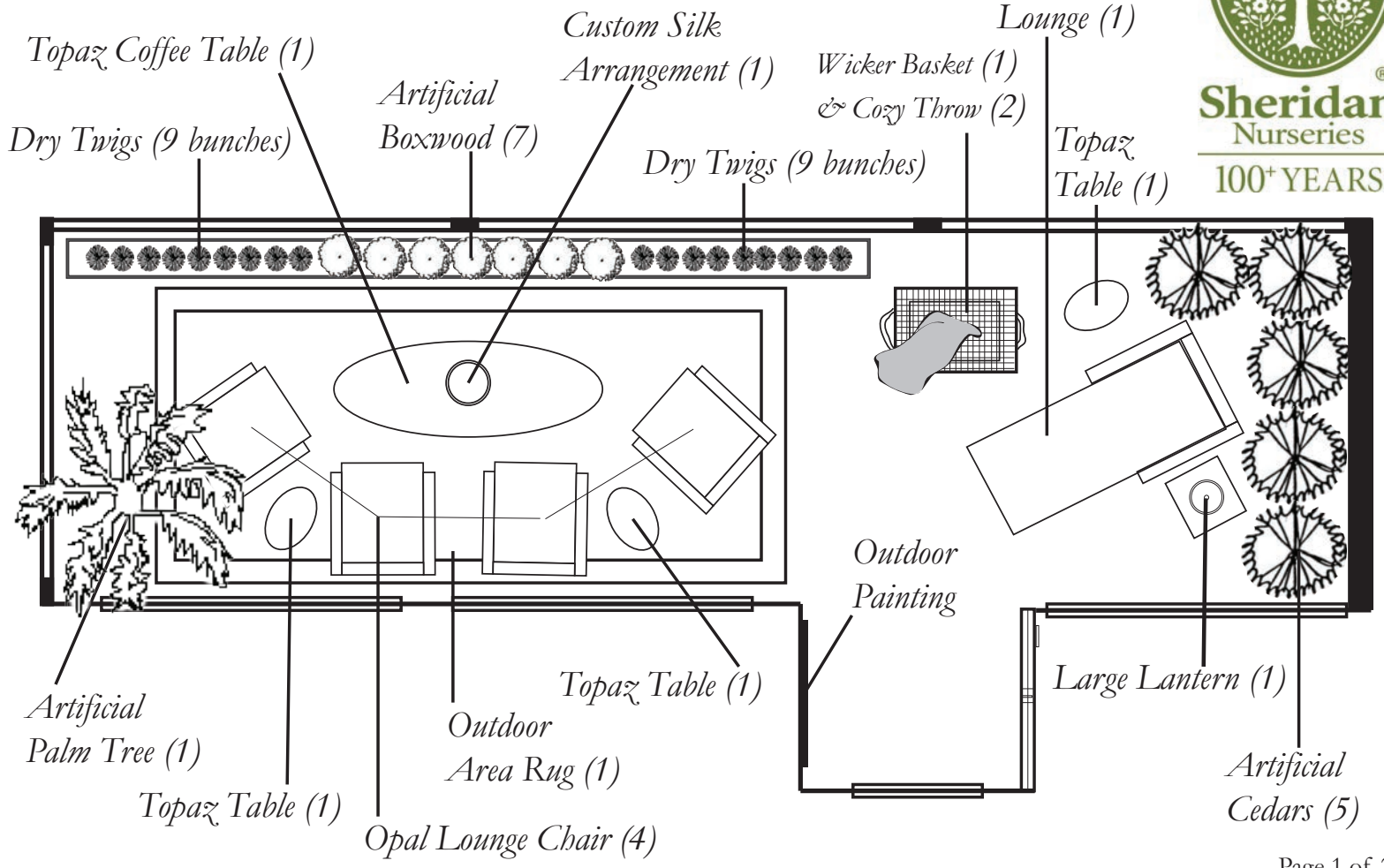


Shady-No Plant Balcony

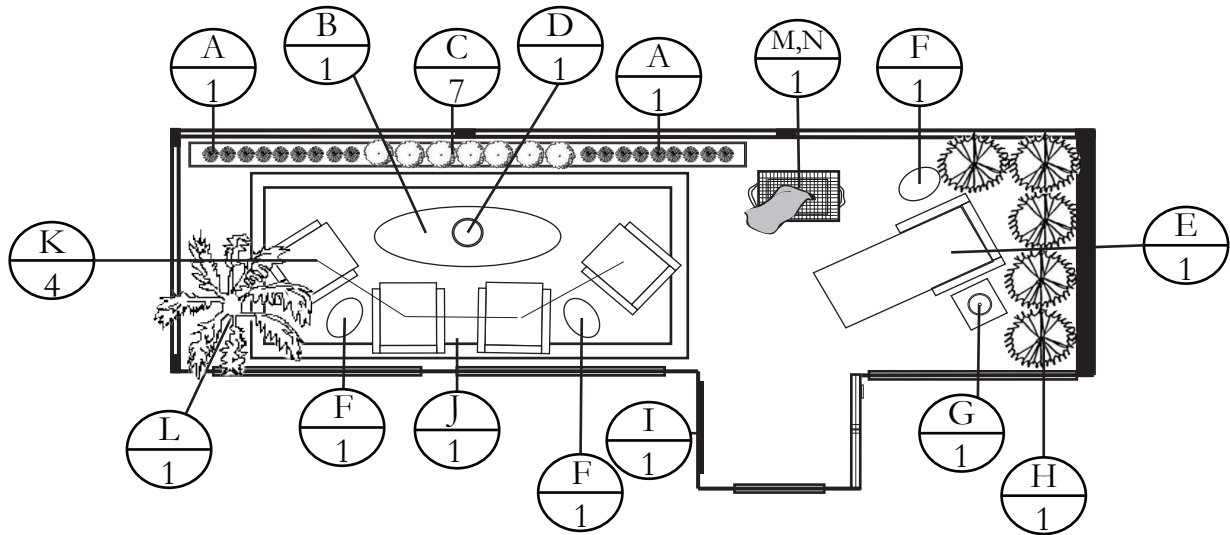
Plant species and accessories may vary by store and availability.



Sheridan
Nurseries
100+ YEARS



Landscape Plan: Shady No-Fuss Balcony



Shopping List

- A. Dry Twigs and Branches (18 bunches)
- B. Topaz Coffee Table (1)
- C. Artificial Boxwood (7)
- D. Custom Silk Potted Arrangement (1)
- E. Opal Chaise Lounge (1)
- F. Topaz Side Table (3)
- G. Large Floor Lantern (1)
- H. Artificial Emerald Cedars (5)
- I. Outdoor Painting/ Wall Art (1)
- J. Outdoor Area Rug (1)
- K. Opal Lounge Chair (4)
- L. Artificial Palm Tree (1)
- M. Cozy Throw/ Blankets (2)
- N. Large Wicker Basket storage (1)
- Spagnum Moss for planter fill
- Glazed Artisan Pot for Palm (1)
- Resin Pots for Cedars (5)
- Bird Feeder and Seed
- Garden Hose w/Nozzle, Good Broom, Gloves, Spray Bottle, Soft Cleaning Cloths.

D.I.Y. Installation Steps

Position rug, pots, planters and furniture as per plan.

Place plants in pots.

Arrange twigs and branches in the planters and fill bare cavities with Spagnum Moss.

Manipulate Boxwood, Cedar and Palm branches if they have been bent during shipping.

Place blankets in the wicker basket.

Select an unscented candle for your lantern so pests will not be attracted to the smell.

* Remember to never leave burning candles unattended.

Clean your artificial greenery and furniture monthly with a soft rag and soapy water, to avoid a build up of dirt and other residue.

Change your custom arrangements, blankets and art seasonally, to entice more time spent outside.

*Sheridan Nurseries stands behind the quality of their products and encourages you to try new items that inspire you. If you do not see a ready made arrangement that is of interest to you, one of our custom floral designers will be please to create something to match your style, decor and budget. Visit the nursery often to stay on trend and make your outdoor space inviting every day, in every season.



Sheridan
Nurseries
100+ YEARS